

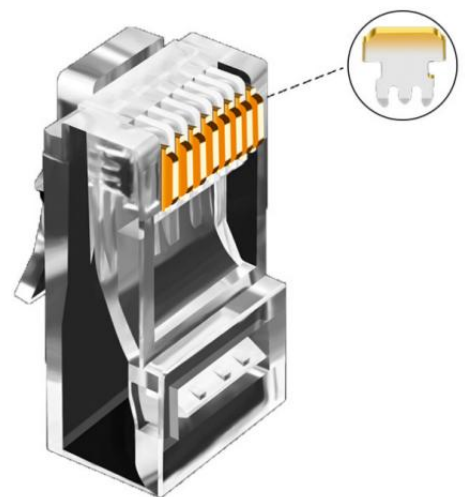
MT-5053

EZ RJ45 Modular Plug



Quick Details:

01. Product Name : EZ 8P8C RJ45 UTP CAT6 Modular Plug
02. Place of Origin : China
03. Model No : MT- 5053
04. Packing Dimension : 350x290x150mm (2000 pcs/box)
05. Net Weight : 0.15kg (100pcs/box)
06. Gross Weight:0.19kg (100pcs/box)
07. Grade: CAT.5E,CAT.6,CAT.6A,CAT7 to choose from
08. Purpose: RJ45 with six types of network connection line to connect all kinds of network terminals
09. Main material: PC, phosphor bronze
10. Features : EZ
11. Support: OEM (or Neutral)

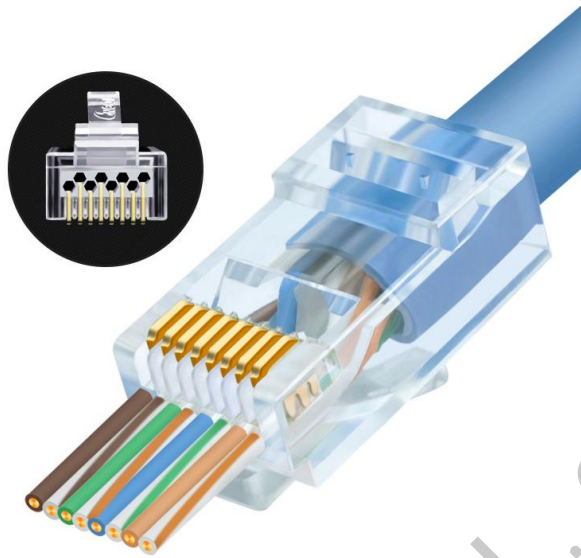


Description:

Insert the proper diameter lan cable and telephone cable, to make the patch cords for telephone communication and network communication, easy connection and high performance.

Product features:

1. Safe and stable, avoid the core wire is not inserted to the end
2. Clear line sequence to avoid line sequence errors
3. Convenient wiring, fast threading, improve work efficiency



Product Details:

