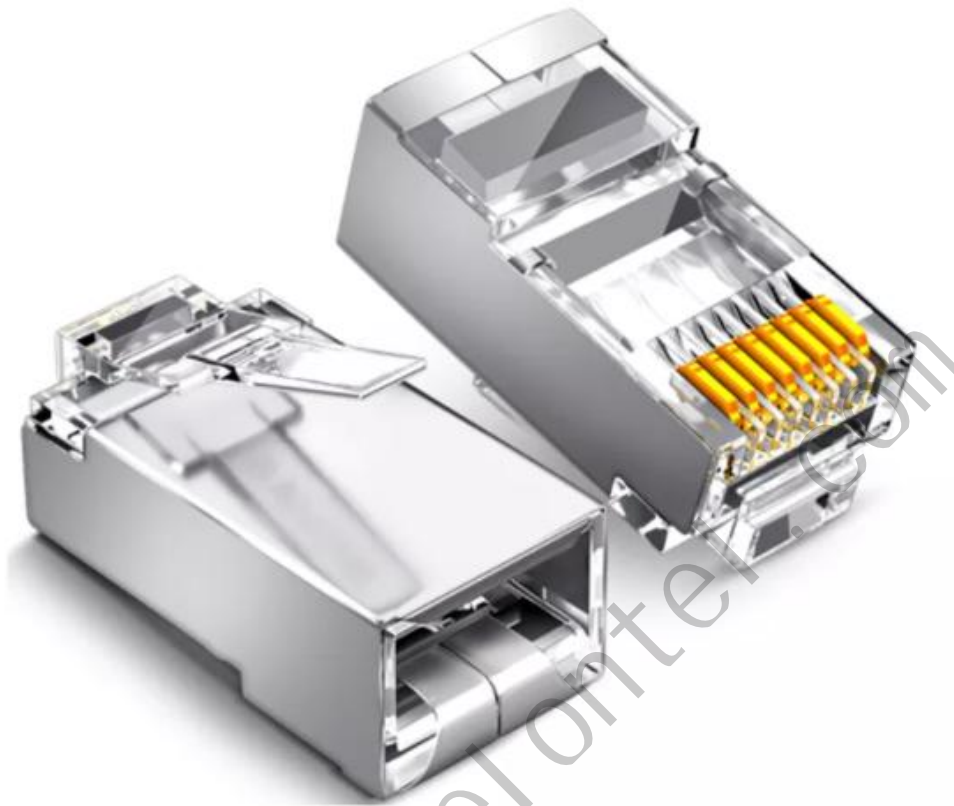


# MT-5053-B RJ45 Modular Plug 8P8C Plug STP Type

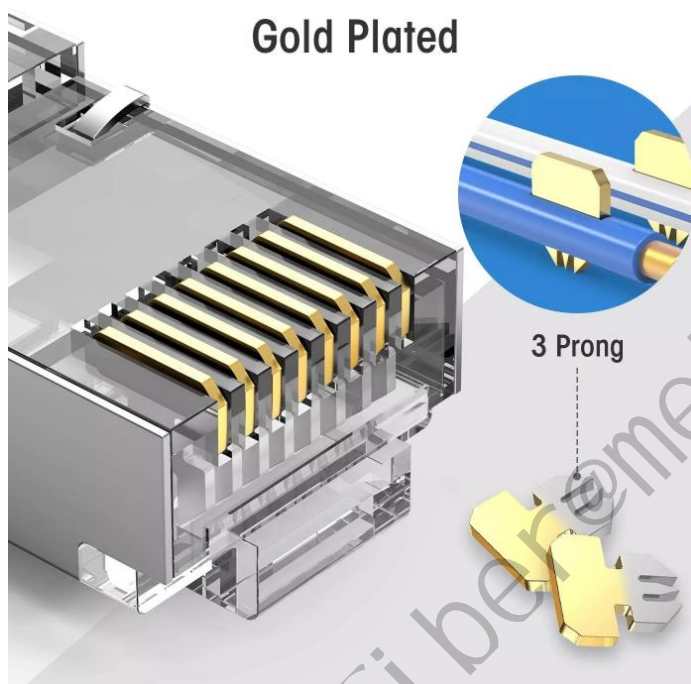


## Quick Details:

1. Place of Origin: Zhejiang, China
2. Brand Name: Melontel
3. Model Number: MT-5053B
4. Type: RJ45, 8P8C
5. Application: Power, Telephone and Network
6. Gender: Male
7. Weight: 1.33g
8. Pins: 8P
9. Product name: RJ45 Modular Plug
10. Gold Plated:  $5\mu$ " , $3\mu$ " , $50\mu$ "
11. Operating Life: 500 Cycles min

## Feature:

1. Support high-speed network transmission
2. High connection reliability
3. Many different models are suitable for various applications
4. Special design can ensure the cable lay length
5. Can be used for soft wire and hard wire
6. Faster and easier termination

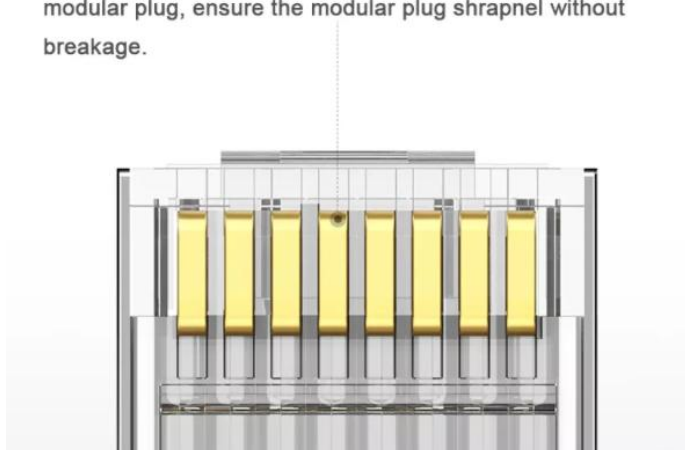


### Copper Alloy Shielded Shell

Protects your network from signal loss and electromagnetic interference, provides conductive path for grounding.

### Robust Shrapnel

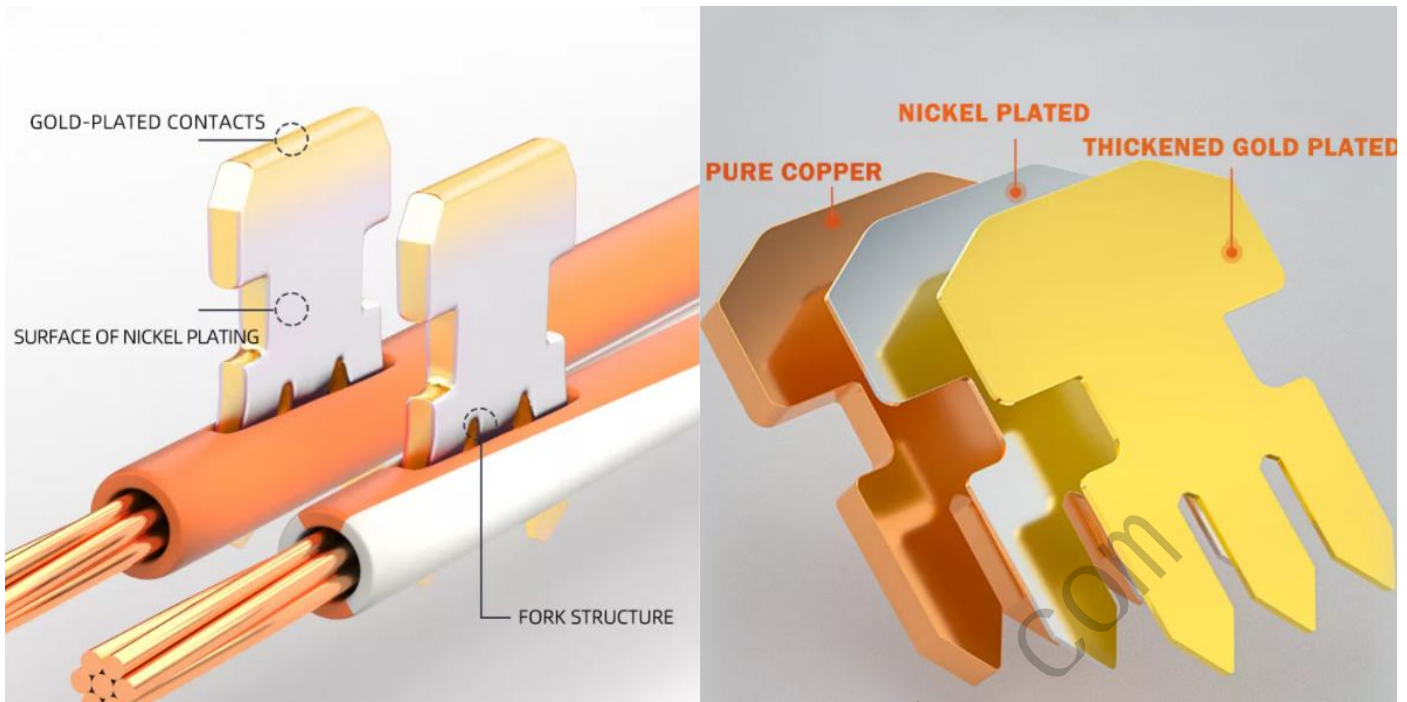
Polycarbonate materials improve the toughness of the modular plug, ensure the modular plug shrapnel without breakage.



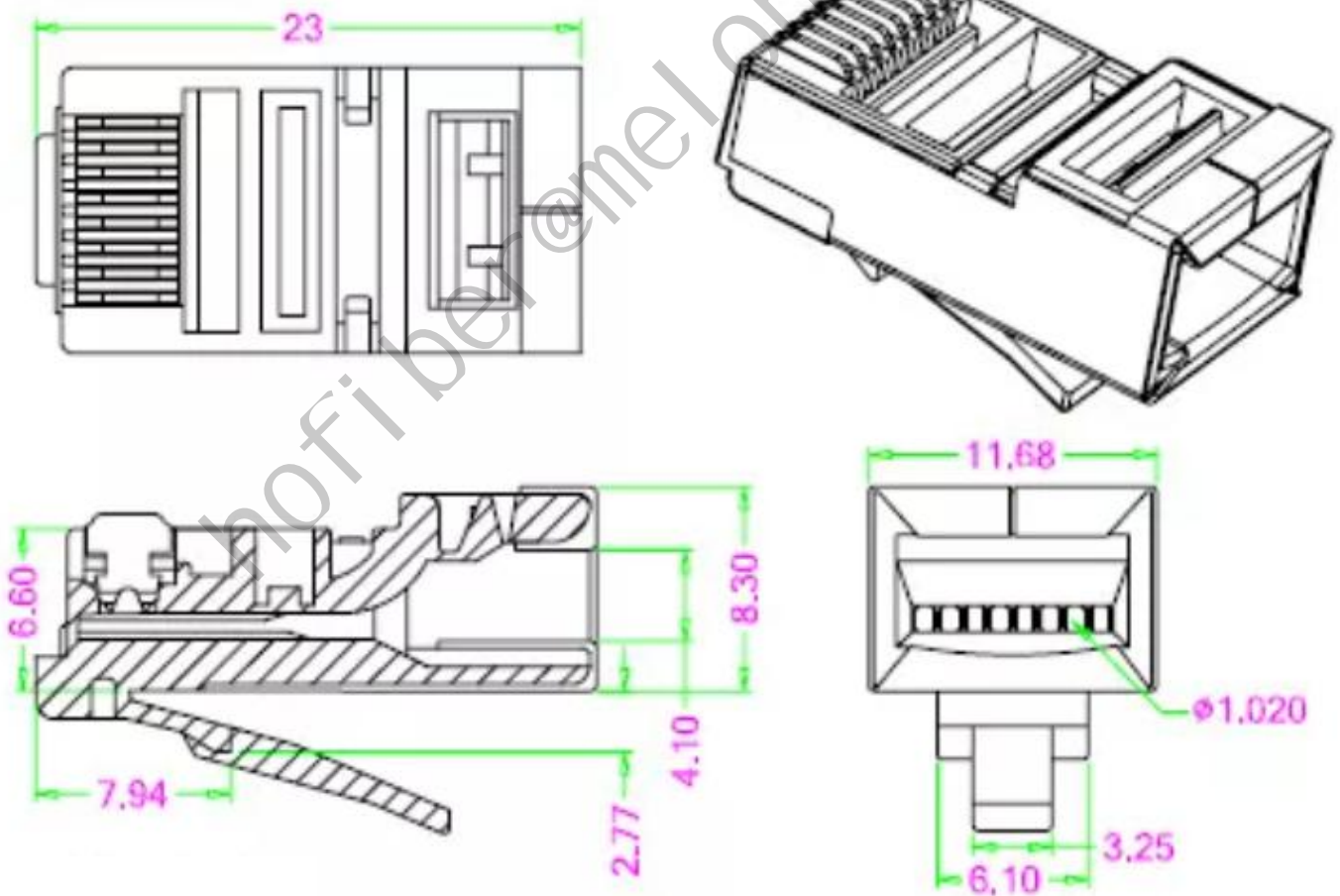
### Trigeminal chip & 50 Micron Gold Contacts

Trigeminal gold plated phosphor bronze contacts provides a fully contact with wire conductor and ensure excellent conductivity.





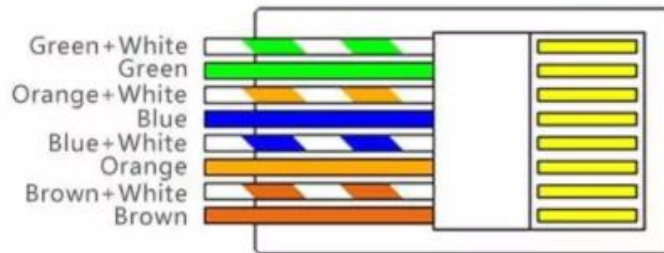
**Drawing:**



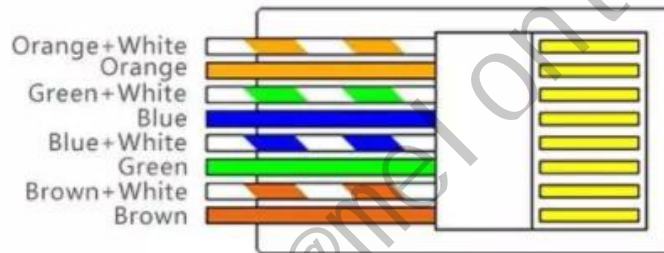
## Standard Network Cabling Method:



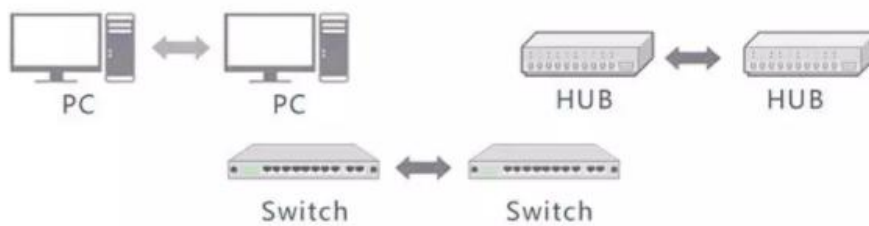
### 568A Standard



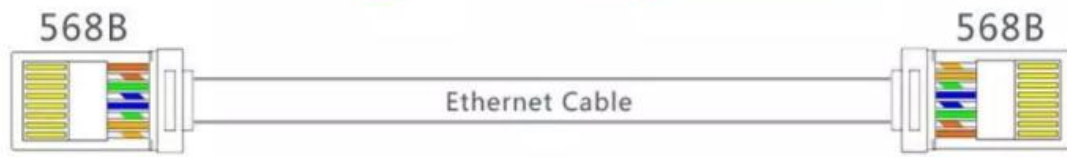
### 568B Standard



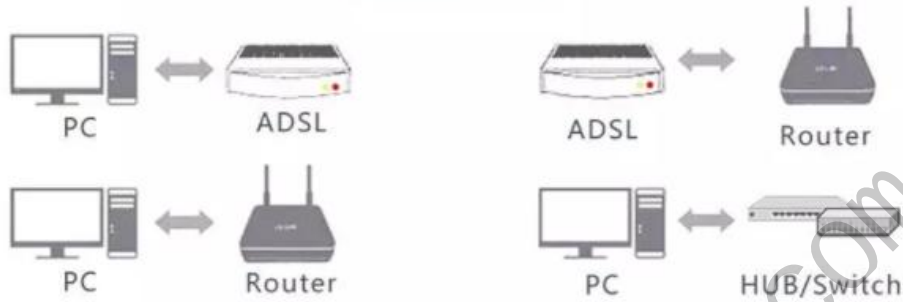
### Made for:



## Straight-Through Cable



**Made for:**



### Application:

It is suitable for all RJ45 network interface devices (desktop computers, laptops, routers, switches, smart TVs, set top boxes, TV boxes, hubs, ADSL.....)



## Usage:

1. Put the network cable into the special cutting line mouth to rotate and cut the outer skin
2. Remove the plastic skin
3. Order of the finishing the thread core
4. Place the thread core into the thread cutter
5. Cut the net cord straight
6. Insert the net cable into the bottom of the modular plug
7. Insert the modular plug with the net cable into the pressure interface
8. The net wire clamp is aligned with the copper sheet of the modular plug and pressed together forcefully
9. Completer modular plug suppression

