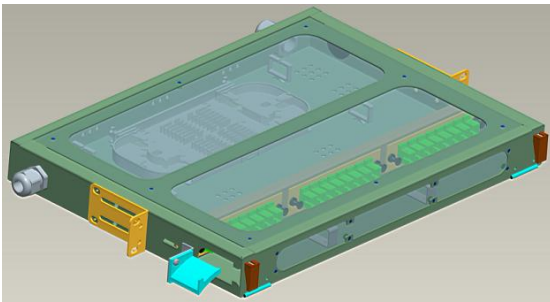
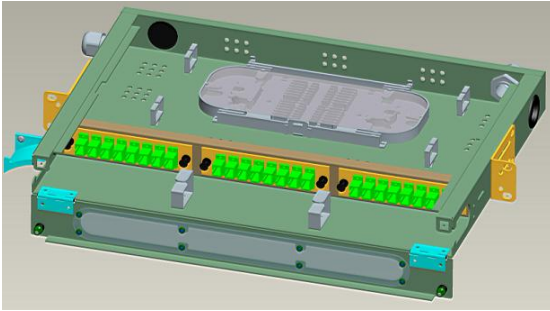


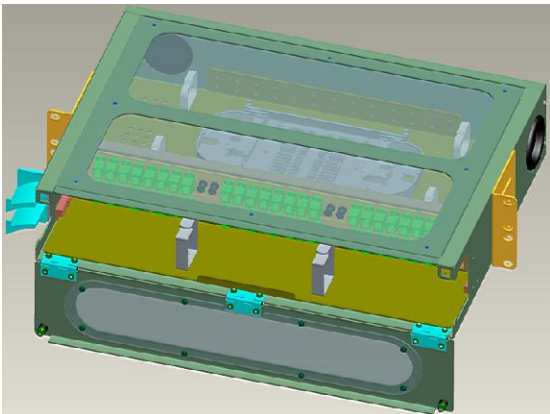
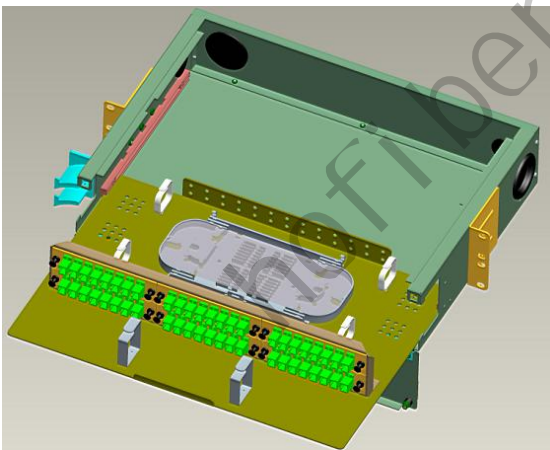
## MT-1019 PATCH PANEL WITH TRANSPARENT COVER

This series patch panel is designed for standard 19" rack-mount. Suitable for ST, SC, LC, MTRJ, FC adapters. We use changeable adapter plate to fix the adapters. Suitable for different kinds of equipment which is designed according to 19" cabinet.

### Fixed rack-mount, 1U 24C



### Slidable rack-mount, 2U 48C



#### Features:

- ❖ Standard size, and reasonable structure
- ❖ Slidable type and fixed type for your choice.
- ❖ Suitable for ribbon and single fiber
- ❖ Compact design for space saving
- ❖ Changeable adapter plate to fit different adapter interface
- ❖ Front and top cover use transparent organic glass for Good Visibility and observation.
- ❖ Top cover is removeable, easy for operation.

#### Application:

- Telecommunications subscriber loop
- Fiber to the home (FTTH)
- LAN/WAN
- CATV

#### Painting:

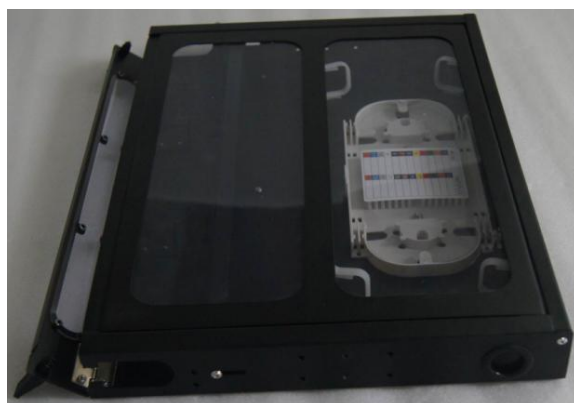
1. Electrostatic Powder spraying, Black or Hoar color optional.

**Note:** If customer no special requirement, we will spray hoar color.

#### Material:

**1.Box:** Aluminum material.

**2.Front cover:** aluminum with transparent organic glass window in the middle.



**Order information:**

Fixed rack-mount type				
Model	Fiber Quantity	Height	Adapter plate No.(pcs)	Dimension(cm)
MT-1019F-24	24C	1U	3pcs;8 port/plate	48*31*4.4
MT-1019F-48	48C	2U	6pcs;8 port/plate	48*31*8.8
MT-1019F-72	72C	3U	9pcs;8 port/plate	48*31*13.2
MT-1019F-96	96C	4U	12pcs;8 port/plate	48*31*17.7
Slidable rack-mount type				
Model	Fiber Quantity	Height	Adapter plate No.(pcs)	Dimension(cm)
MT-1019S-24	24C	1U	3pcs;8 port/plate	48*31*6
MT-1019S-48	48C	2U	6pcs;8 port/plate	48*31*8.8
MT-1019S-72	72C	3U	9pcs;8 port/plate	48*31*13.2
MT-1019S-96	96C	4U	12pcs;8 port/plate	48*31*17.7

